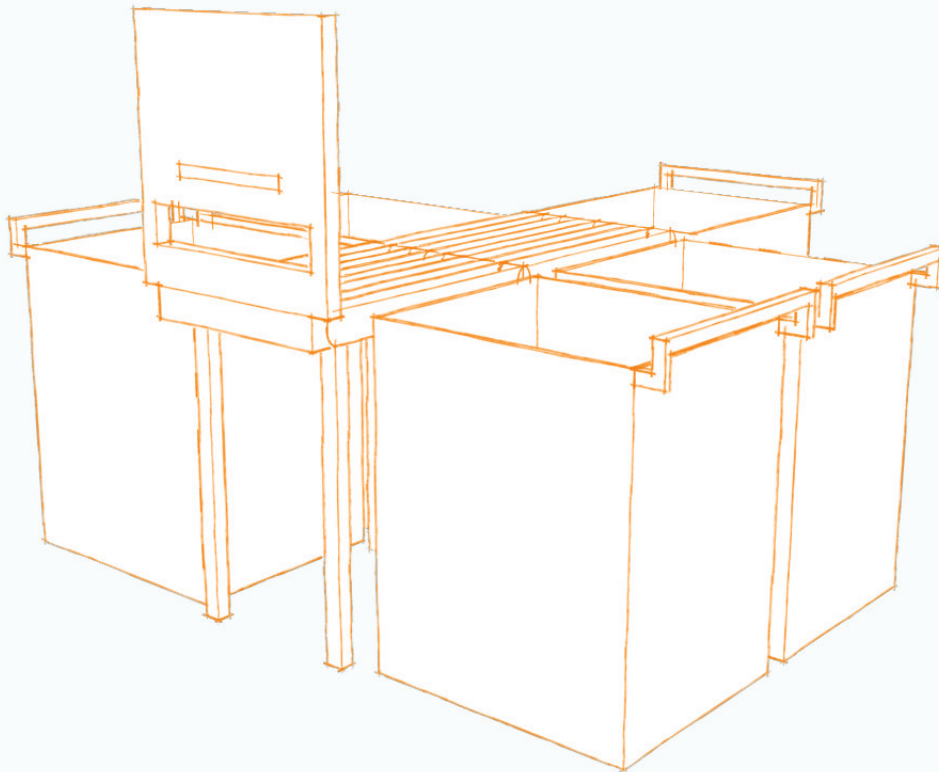




200 Series Entry-level materials handling



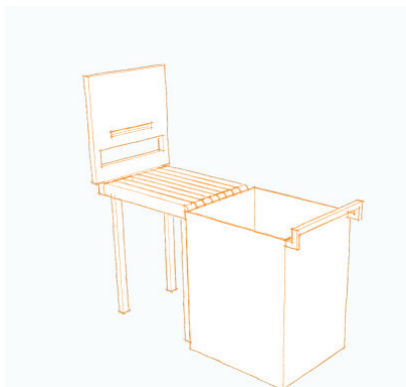
Libraries of all sizes have to handle returns – every item borrowed has to come back! To make this process as quick and efficient as possible, and to remove the thousands of staff-hours a manual process requires, we offer a full range of return and sorting systems designed to meet most requirements.

Our entry-level 200 series range provides the perfect balance between cost and functionality, allowing libraries to implement full materials handling features at a price that provide an easy return-on-investment. Available in 3 different sorting configurations, the 200 series range is delivered pre-built to site, requiring minimal installation, setup and maintenance.

The external smartreturn 200 product, enables the library users to benefit from the ability to return items 24/7, even when the library is closed, through a simple return-point interface.

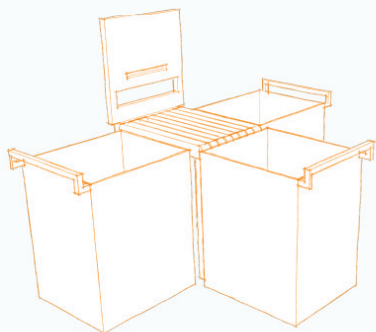
200 Series: Entry-level materials handling

Our 200 series AMH range products are available in both internal (indoor) and external (outdoor) versions and can be supplied in three different options to suit the requirements of your library:



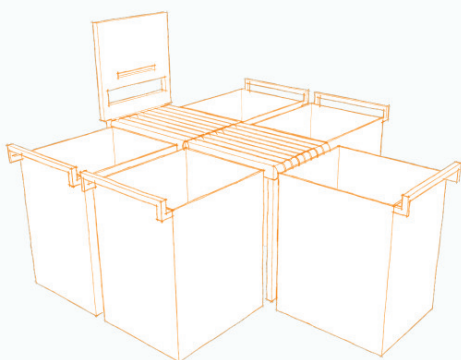
Single drop bin, single items only

Allow items to be returned and checked into the ILS/LMS 24 hours. Items may be returned one item at a time and all fall into a single return bin. Although only returned to a single return bin, this entry-level option allows libraries to offer 24 hour return of items for their customers.



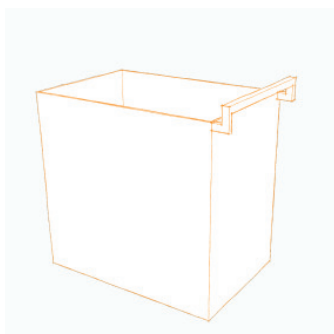
3-way sorting system, single items only

Configurable sorting into 3 different locations. Typically libraries would configure 2 bins (left and right) for back-to-shelf locations and reserve the third bin (front) as an exceptions/reservations bin - i.e. all items that should not be returned to the shelf. A 3-way return sorting system could be reduced to a 2-way return sorting system to save space, by removing the center bin.



5-way sorting system, single items only

Configurable sorting into 5 different locations. Typically libraries would configure 4 bins (left and right) for back-to-shelf locations and reserve the third bin (front) as an exceptions/reservations bin - i.e. all items that should not be returned to the shelf.



Additional wheeled bin units

Available in small (70 approximate capacity) and large (100 approximate capacity). Additional bins provide you with the ability to wheel full bins away to the shelf and immediately replace with an empty bin - keeping your AMH investment running. Bins can be positioned at a 90 degree angle (1-way, 3-way, center bin) to save space. They all have a spring bottom and should be ordered separately.

200 Series: Entry-level materials handling

Software

The system is delivered pre-installed and preconfigured for the desired model together with our **smartreturn™** software.

Mounting / Installation Options

In-wall mounting only.

Dimensions

Millimeters:

Outer dimensions w/o bin(s) (l x w x h):

1-way: 680 x 520 x 1400/1450

3-way: 1285 x 725 x 1400/1450

5-way: 1805 x 725 x 1400/1450

1 bin small: 700 x 600 x 865

1 bin large: 900 x 600 x 865

Entry point:

950 internal

1000 external

Slot (h x w):

90 x 366 with flap (external)

120 x 366 without flap (internal)

Inches:

Outer dimensions w/o bin(s) (l x w x h):

1-way: 26,77 x 20,47 x 55,12/57,08

3-way: 50,59 x 28,55 x 55,12/57,08

5-way: 71,06 x 28,55 x 55,12/57,08

1 bin small: 27,55 x 23,62 x 34,05

1 bin large: 35,43 x 23,62 x 34,05

Entry point:

37,40 internal

39,37 external

Slot (h x w):

3,55 x 14,41 with flap (external)

4,73 x 14,41 without flap (internal)

Weight

Kilogramms (internal and external are similar):

1-way: 86 kg

3-way: 108 kg

5-way: 132 kg

1 bin, small: 28 kg

1 bin, large: 33 kg

Pounds (internal and external are similar):

1-way: 189,60

3-way: 238,10

5-way: 291,00

1 bin, small: 61,73

1 bin, large: 72,75

Item capacity

The item capacity is between 600 to 900 items/hour, depending on LMS/ILS response time and configuration settings.

Environmental Facts

Temperature range: - 30°C to +50°C / Humidity range: 85% non condensing / Noise level: <55dB

Materials

Steel, plastic, aluminium, stainless steel.

Reporting

Configuration and reporting is made available via our optional **smartadmin™** central management software.

Power / connectivity

Operating power: 120-230V / CE

Options

Additionally available is a printer for external and internal versions / a reject function for internal versions only and an unsecure function for external versions only.

Order code(s)

Please contact your local Bibliotheca office to confirm order codes for your specific model.

